

TRT50(-420)

Temperature transmitter



TRT50(-420) is a range of high quality temperature transmitters for wall mounting

- ✓ Excellent long-term stability
- ✓ Wide measurement range
- ✓ Accuracy +/- 0.5°C at 20°C
- ✓ Output signal 0...10 V DC or 4...20 mA
- ✓ Low power consumption (< 1 W)
- ✓ Supply voltage 24 V AC or 15...35 V DC
- ✓ Protection class IP65

Function

TRT50 is a wall mounted temperature sensor for measuring temperature in air handling systems. Available with 0...10V DC (TRT50) or 4...20mA (TRT50-420) output.

The transmitters are constructed around a temperature element providing a signal proportional to the temperature. The built-in electronics convert the measurement signal to an output signal 0...10 V DC or 4...20 mA.

Supply voltage

The transmitters can be powered either with 24 V AC or 15...35 V DC (0...10 V models), or 20...35 V DC (4...20 mA models). The transmitters will automatically adapt to the supply voltage.

HEAD OFFICE SWEDEN

Phone: +46 31 720 02 00

Web: www.regincontrols.com

E-mail: info@regincontrols.com

TRT50(-420)

— 1 (3) —

Technical data

Supply voltage	24 V AC \pm 20 % or 15...35 V DC (0...10 V output signal), alt. 20...35 V DC (4...20 mA)
Output signal TRT50 TRT50-420	0...10 V DC proportional to measuring range 0...+50°C 4...20 mA
Load impedance TRT50 TRT50-420	Min. 10 k Ω Max. 500 Ω
Ambient temperature	-5...+50°C
Storage temperature	-20...+70°C
Measurement accuracy	\pm 0.5°C at 20°C
Cable connection	Terminal blocks, max. 1.5 mm
Sensor type	KF6645 class DIN B, IEC 751
Protection class	IP65
Weight	0.25 kg



This product carries the CE-mark. More information is available at www.regincontrols.com.

Material

Colour	Cover: Signal white RAL 9003 Bottom plate: Grey RAL7035
---------------	---

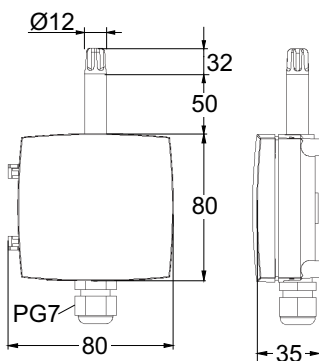
Models

Article	Supply voltage	Unit range	Output signal	Measurement method	Mounting
TRT50	24 V AC \pm 20 % or 15...35 V DC	-20...100°C	0...10 V DC	3-wire	Wall mounting
TRT50-420	20...35 V DC	-20...100°C	4...20 mA	2-wire	Wall mounting



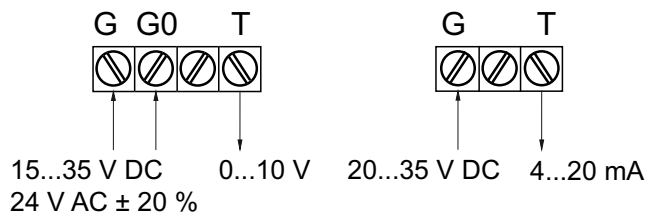
Note! A membrane in sintred brass is available as an accessory for TRT for use in heavily polluted environments.

Dimensions



[mm]

Wiring



Documentation

All documentation can be downloaded from www.regincontrols.com.