



TG-UH/NTC10-02

Outdoor temperature sensor with housing

Temperature sensor with NTC10 element for outdoor temperature measurement or for use in areas requiring a higher protection class.

- Screw cap
- Tight casing, IP65

- Anti-tear cable gland
- Modern design and compact format

Tempero series temperature sensor with a modern design suiting all environments.

TG-UH/NTC10-02 is intended for wall mounting, outdoors or in areas where a high protection class is required.

The sensor is compatible with Carel, Evco, Eliwell and AB Industrietechnik.

Technical data

Temperature range	-30...+70°C
Compatible with	Carel, Evco, Eliwell, AB Industrietechnik
Sensor element	NTC 10k, 10 kΩ/25°C
Cable gland	M16
Protection class	IP65

Material

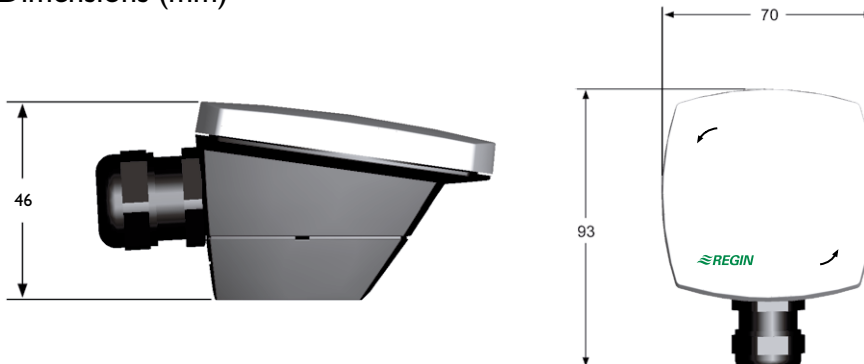
Housing	Polycarbonate
---------	---------------

Colour

Cover	Polar white RAL9010
Base	Dark grey RAL7043

Temperature (°C)	Resistance (Ω)	Temperature (°C)	Resistance (Ω)
15	14690	70	2228
10	17960	65	2588
5	22050	60	3020
0	27280	55	3536
-5	33900	50	4160
-10	42470	45	4911
-15	53410	40	5827
-20	67770	35	6940
-25	86430	30	8313
-30	111300	25	10000
		20	12080

Dimensions (mm)



Head office Sweden

Phone: +46 31 720 02 00
Web: www.regincontrols.com
Mail: info@regin.se

REGIN

THE CHALLENGER IN BUILDING AUTOMATION