

INSTRUCTION SL



REV. A, 2024-10-02

Note! More information about the product can be found in the product sheet, which is available for download from www.industrietechnik.it

Caution! Read and understand the instruction before using the product.

Caution! Ensure that the installation complies with local safety regulations.

Warning! Before installation or maintenance, the power supply must first be disconnected in order to prevent potentially lethal electric shocks! Installation or maintenance of this unit should only be carried out by qualified personnel. The manufacturer is not responsible for any eventual damage or injury caused by inadequate skills during installation, or through removal of or deactivation of any safety devices.

Application

Suitable for monitoring of air or non aggressive gases in distribution air ducts for air conditioning or air treatments.

Technical Data

Power supply	15 (8) A; 24-250 Vac
Contacts	dust-tight microswitch with switching contacts (heat/cool)
Housing	Base in ABS, transparent PC
Housing temp.	-35°C...+65°C

Working temp.	-40°C...+85°C
Protection	IP65 (only casing, external side duct)
Protection degree	I
CE standards	EN 60730-2-18:2000-07

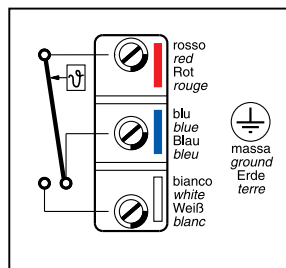
Installation

The flow switch may be installed in any position, as long as it is following the stream. On vertical pipes, balance the device for compensating the weight of the vane. Fit the provided gasket between device and pipe.

Note: The flow switch is factory calibrated to the minimum switch-off value. A higher value can be selected by turning the adjustment screw to the right. Due to the risk of fracture at higher air speed than 5 m/s, the vane must be cut off on the side where marked. As a result of this, however, the factory-set minimum switch-off value will increase from 1 m/s to 2,5 m/s. In order to avoid air turbulences that diminish stability of the vane, steadying zones should be provided for a length of 5 times the diameter before and after the location of installation.

Wiring

Connect the red-white contacts. These contacts will open when the value drops below the set level in the event of a flow decrease. The red-blue contacts close simultaneously and can be used as a signal contact.



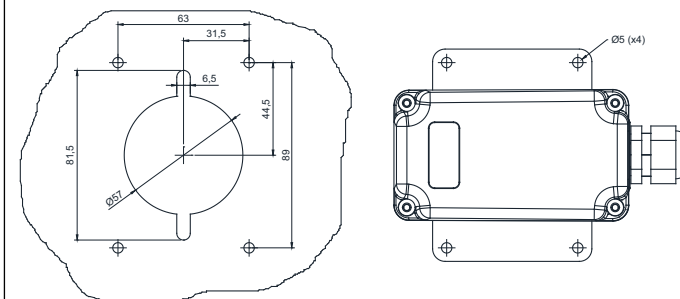
Models

TYPE	MIN-CUT-OUT VALUE m/s	MIN. CUT-IN VALUE m/s	MAX-CUT-OUT VALUE m/s	MAX. CUT-IN VALUE m/s	MAX. AIR TEMP. C°
SL1E	1.0	2.5	8.0	9.2	85

Accessories

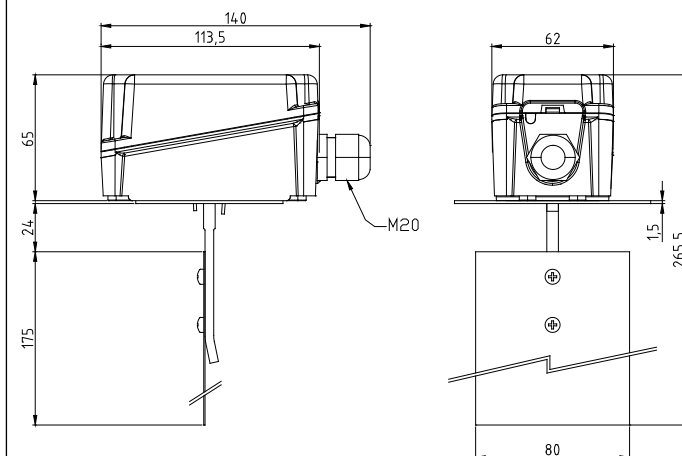
Article	Description
DBZ-08	Stainless steel vane

Mounting



Dimensions

[mm]



CE UK CB

This product carries the CE-mark. More information is available at www.industrietechnik.it.

Contact

AB Industrietechnik SRL, Via Julius-Durst-Str. 50, I-39042 Bressanone (BZ)
Tel: +39 0472 830626, Fax: +39 0472 831840
www.industrietechnik.it, info@industrietechnik.it