

HTWT10(-420)

Humidity/temperature transmitter
for wall mounting



Wall-mounted transmitter for relative humidity and temperature measurement in climate and air handling installations.

- ✓ High accuracy
- ✓ Excellent temperature compensation
- ✓ Very good protection against condensation and pollution
- ✓ Robust sensor element
- ✓ Easy to mount

Application

HTWT10(-420) is intended for wall mounting and has a capacitive thin-film element that provides a signal proportional to the relative humidity.

Function

The measurement signal is transmitted via the built-in electronics to an analogue output signal.

The transmitter has high accuracy (± 2 % RH) and excellent long-term stability. The sensor element reacts quickly to changes in humidity and low hysteresis. It can withstand up to 100 % RH (condensing) without accuracy being affected and is highly resistant to polluted environments.

Combination sensor

The transmitter has a temperature sensor which provides an analogue output signal via built-in electronics.

Filter

The transmitter sensor element is protected by a membrane filter. This can be changed to a stainless steel filter (HA010103), which is recommended when operating in an environment with a high degree of pollution.

Supply voltage

The transmitter uses a supply voltage of either 15...29 V AC or 15...35 V DC. The transmitter will automatically detect and adapt to the connected supply voltage. Transmitters with 4...20 mA output signal must be supplied with 20...30 V DC and connected via a two-wire connection.

Technical data

1 General

Power consumption	15 mA (0...10 V output signal)
Output load	Max 1 mA (0...10 V), max. 500 Ω (4...20 mA)
Cable connection	Disconnectable terminal strips
Protection class	IP65
Weight	0.25 kg
Accuracy	±0.2 K at 20°C
Storage temperature	-40...+60°C
Load impedance HTWT10 HTWT10	Min. 10 kΩ Max. 500 Ω

2 Humidity

Sensor element	Capacitive thin-film element
Sensor element protection	Membrane filter. Sintred filter in stainless steel on request.
Working range	0...100 % RH
Output signal	0...10 V DC (4...20 mA) corresponding to 0...100 % RH
Accuracy	±2 % RH (0...90 % RH), ±3 % RH (90...100 % RH)
Hysteresis	Less than 2 % RH
Temperature dependency	Less than ±0.03 % RH/ °C (at 45 % RH)

3 Temperature

Sensor element	PT1000 (tolerance according to DIN B EN60751)
Measurement range	-20...+80°C
Output signal	0...10 V DC (4...20 mA) corresponding to -20...+80°C
Accuracy	±0.2 K at 20°C
Temperature dependency



This product carries the CE-mark. More information is available at www.regincontrols.com.

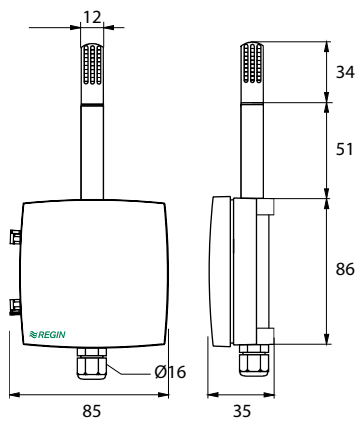
Material

Material, housing	Polycarbonate (PC)
Colour	Cover: Signal white RAL 9003 Bottom plate: Grey RAL7035

Models

Article	Supply voltage	Output signal
HTWT10	15...29 V AC or 15...35 V DC	0...10 V
HTWT10-420	20...30 V DC	4...20 mA

Dimensions



[mm]

Documentation

All documentation can be downloaded from www.regincontrols.com.